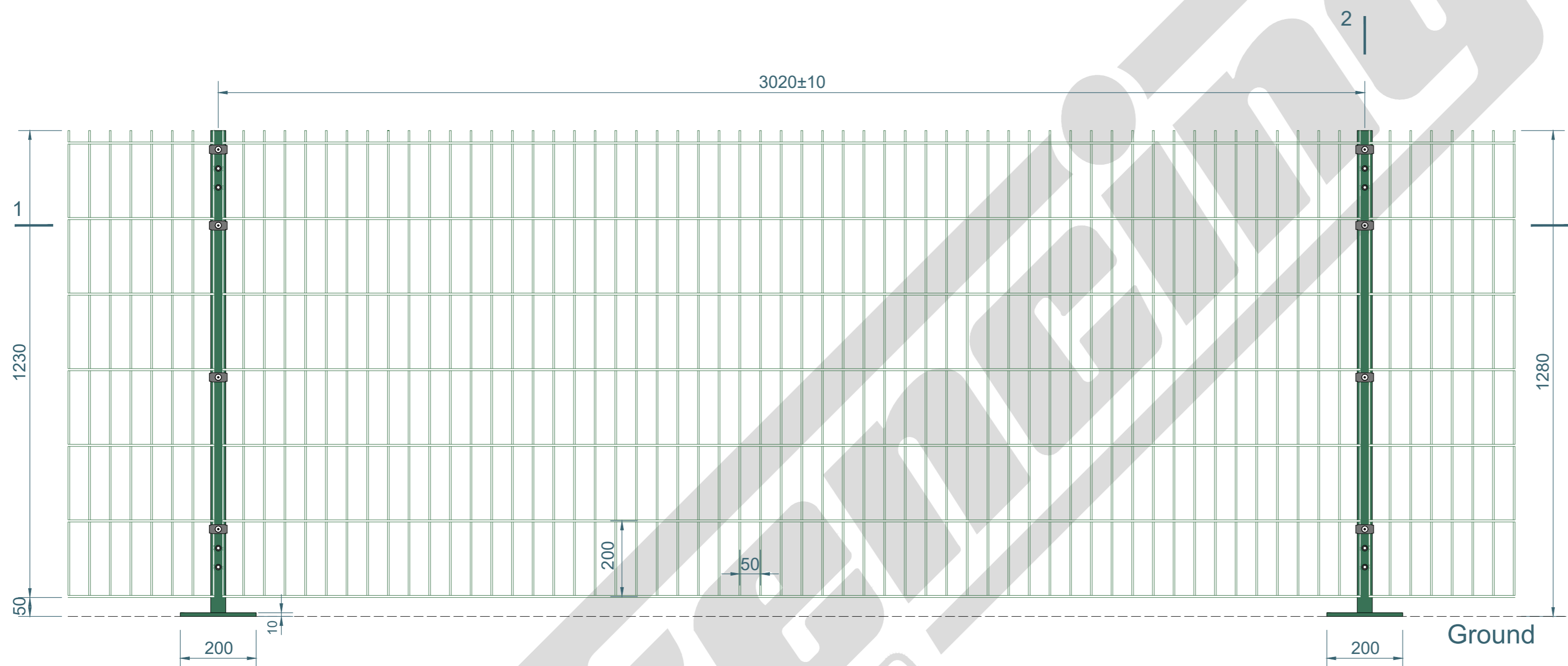
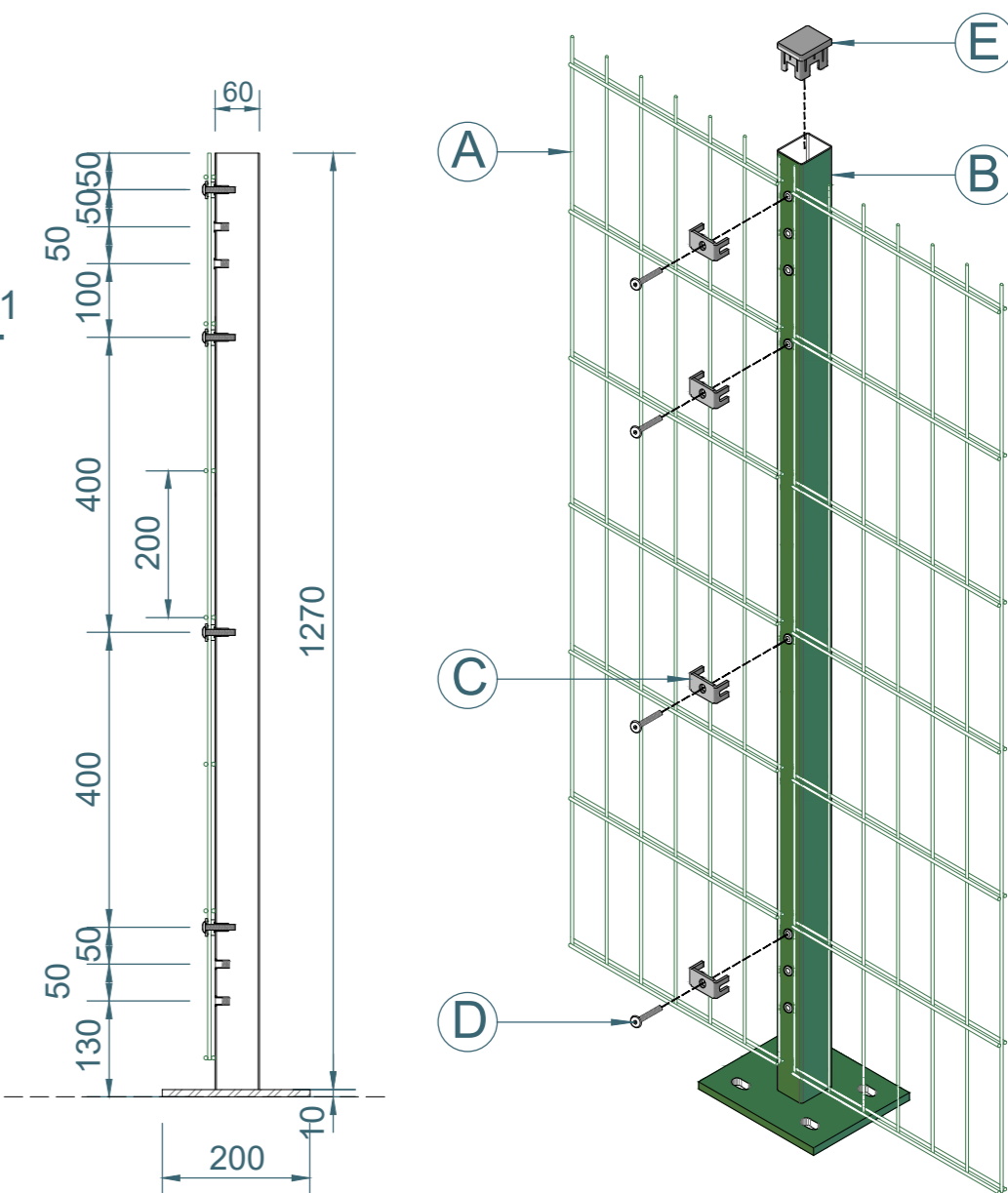


1.2m HIGH 656 TWIN MESH WITH 40x60mm BOLT DOWN BAY

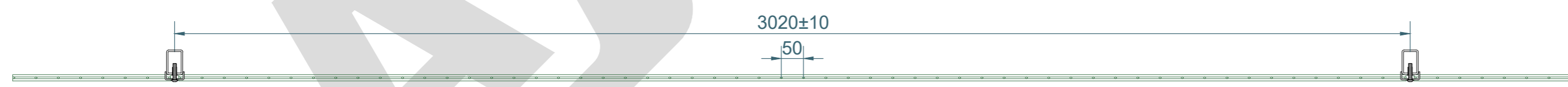


Elevation 1:10



2-2 Section 1:10

Axonometric Drawing



1-1 Section 1:10

ITEM	PARTS NAME	QUANTITY
A	MESH – 1.2m 656 TWIN MESH PANEL ONLY	1
B	POST – 1.28m HIGH 40x60mm BOLT DOWN POST ONLY	1
C	UNIVERSAL FIXING CLIP	4
D	M8x40mm MESH SECURITY INSERT BOLT	4
E	40x60mm BLACK CAP	1

NOTE: SHOULD ANY DISCREPANCIES BE FOUND WITH THIS DRAWING, PLEASE INFORM AA FENCING. COPYRIGHT OF THIS DRAWING IS OWNED BY AA FENCING UK LIMITED

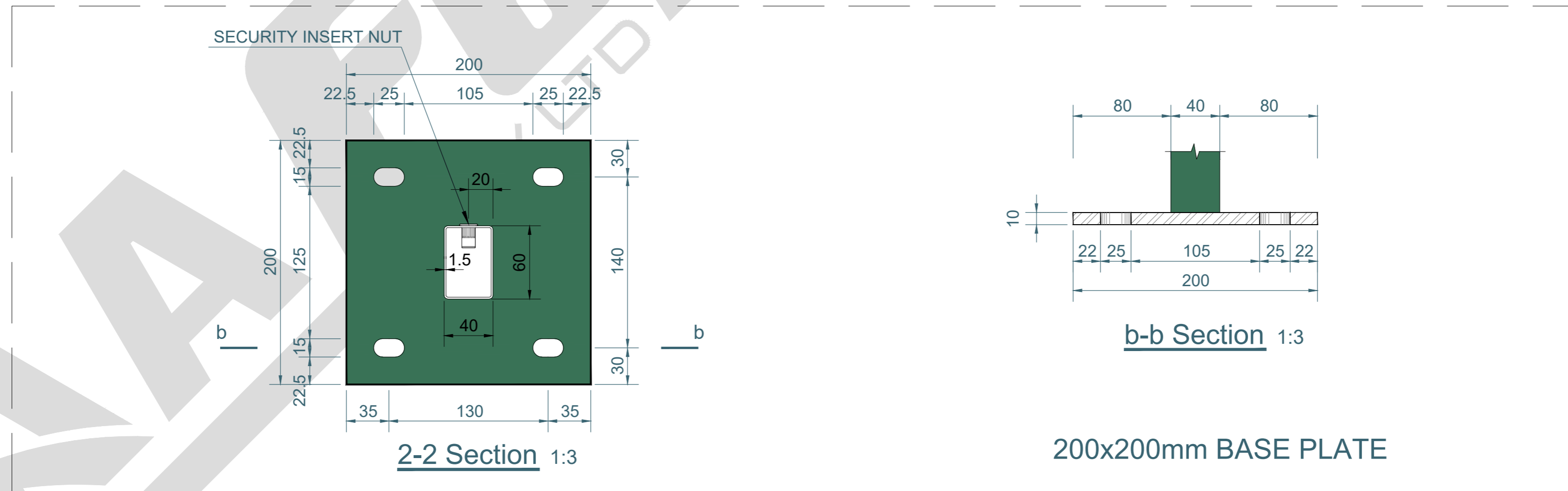
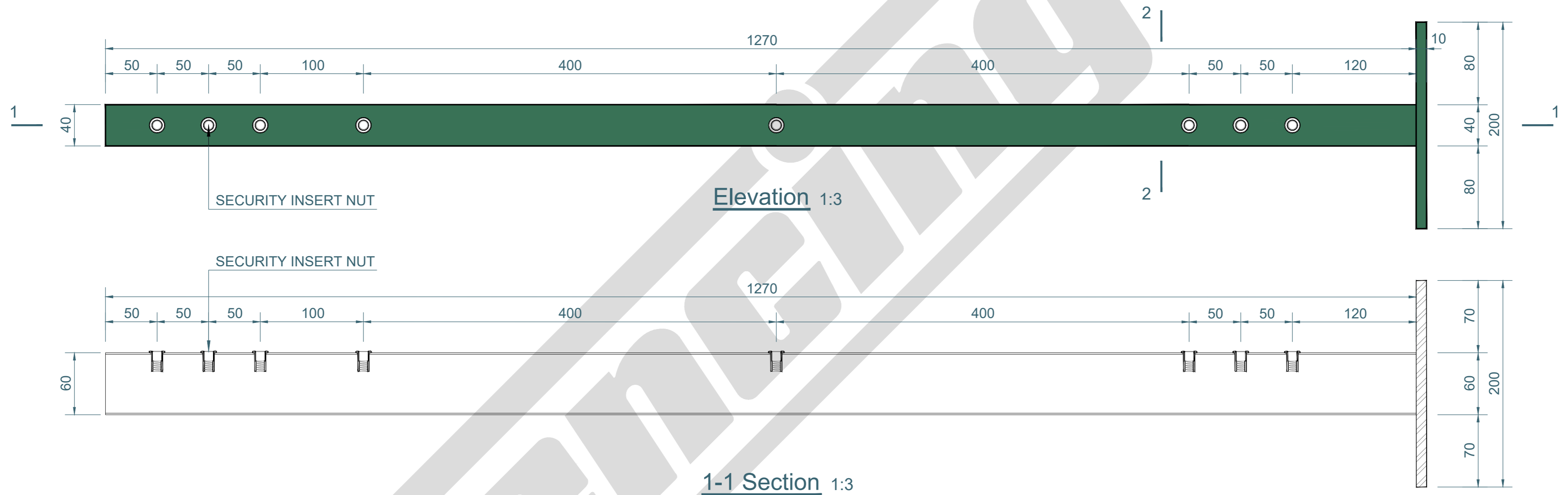
TITLE: 1.2m HIGH 656 TWIN MESH WITH 40x60mm BOLT DOWN BAY

AA Fencing UK Ltd. The Wireworks Evans
Road, Speke Liverpool L24 9PB
0151 363 1234 info@aafencing.co.uk

SIZE:	RVE:	DRAWN:	DATE:	SCALE: 1:10
A2	1.0	W.CY	15/03/2025	
WEIGHT: PANEL 16.5kg, POST 5.85kg			SHEET 1 OF 3	

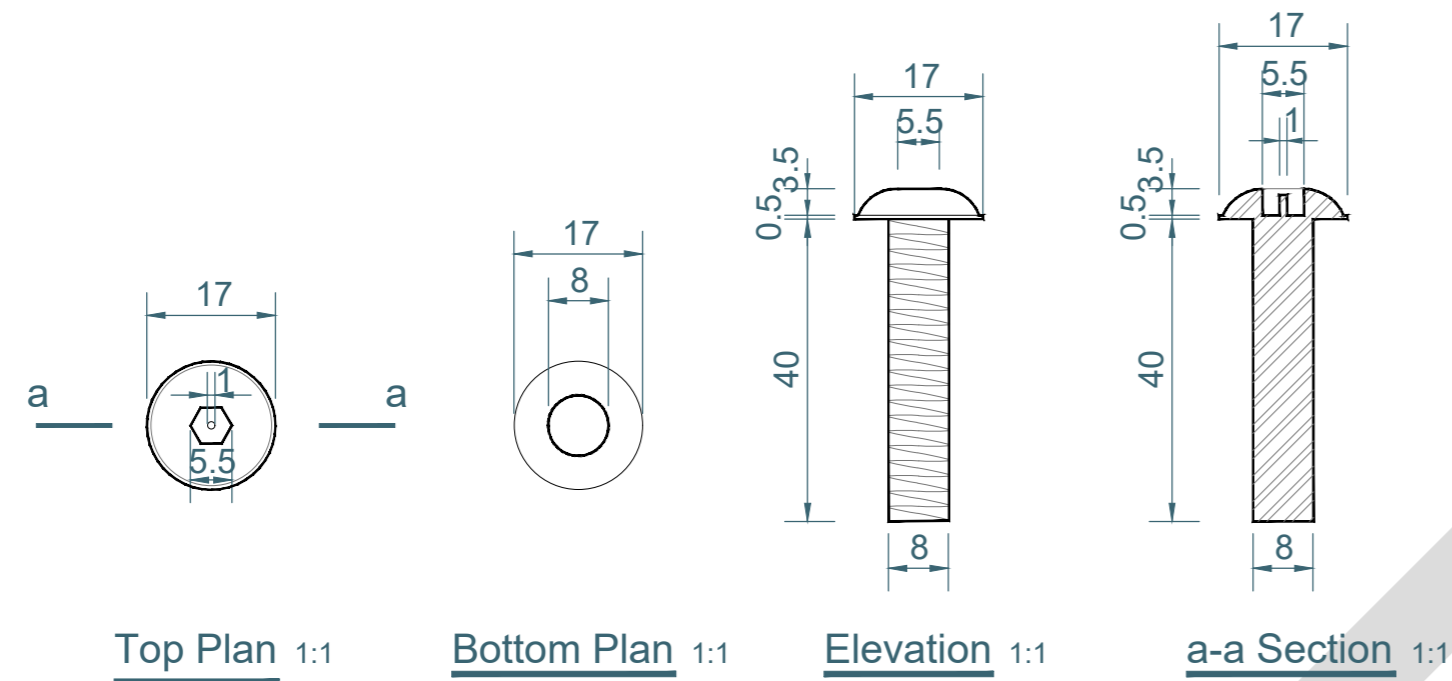


1.2m HIGH 40x60mm INTERMEDIATE BOLT DOWN POST ONLY(AL1280mm)

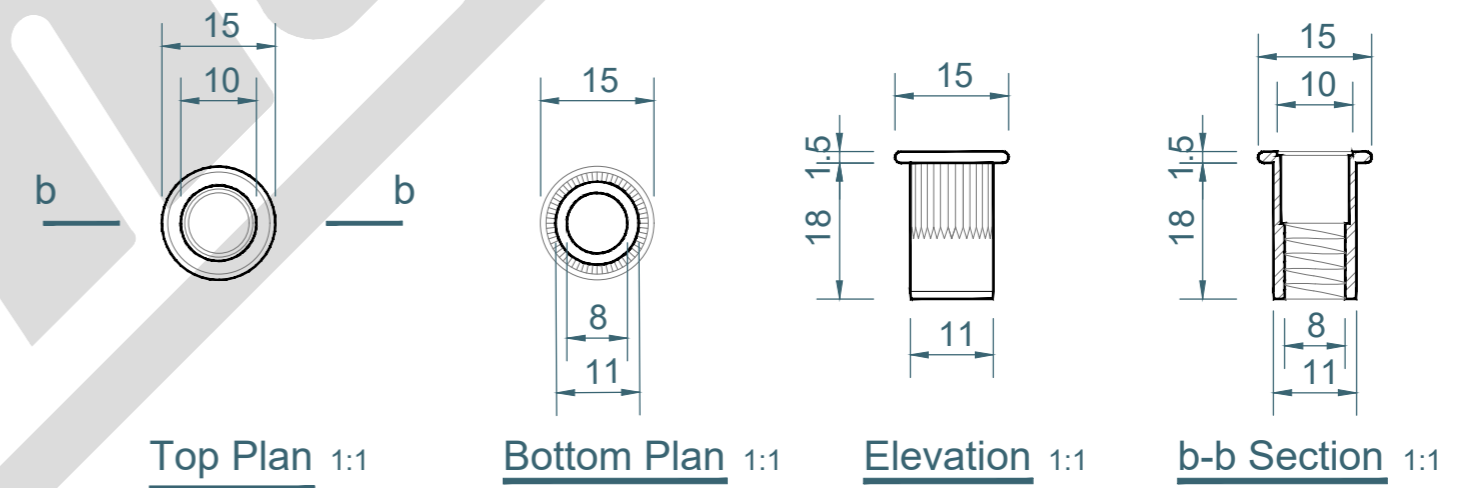


AA Fencing AA Fencing UK Ltd. The Wireworks Evans Road, Speke Liverpool L24 9PB 0151 363 1234 info@aafencing.co.uk	TITLE: 1.2m HIGH 40x60mm INTERMEDIATE BOLT DOWN POST ONLY(AL1280mm)	SIZE: A2	RVE: 1.0	DRAWN: W.CY	DATE: 15/03/2025	SCALE: 1:3	NOTE: SHOULD ANY DISCREPANCIES BE FOUND WITH THIS DRAWING, PLEASE INFORM AA FENCING. COPYRIGHT OF THIS DRAWING IS OWNED BY AA FENCING UK LIMITED
	WEIGHT: POST 5.85kg				SHEET 2 OF 3		

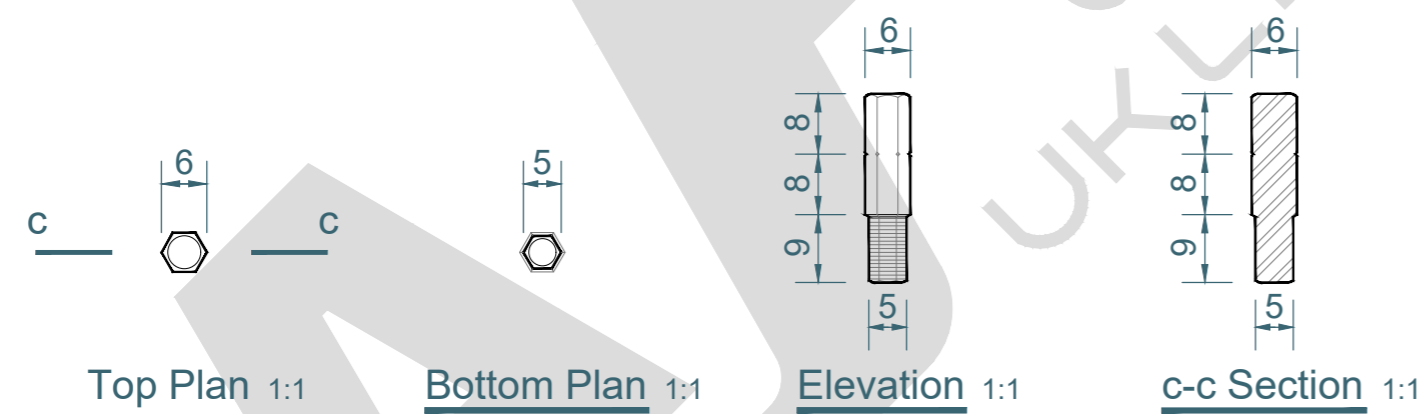
TWIN MESH FITTINGS



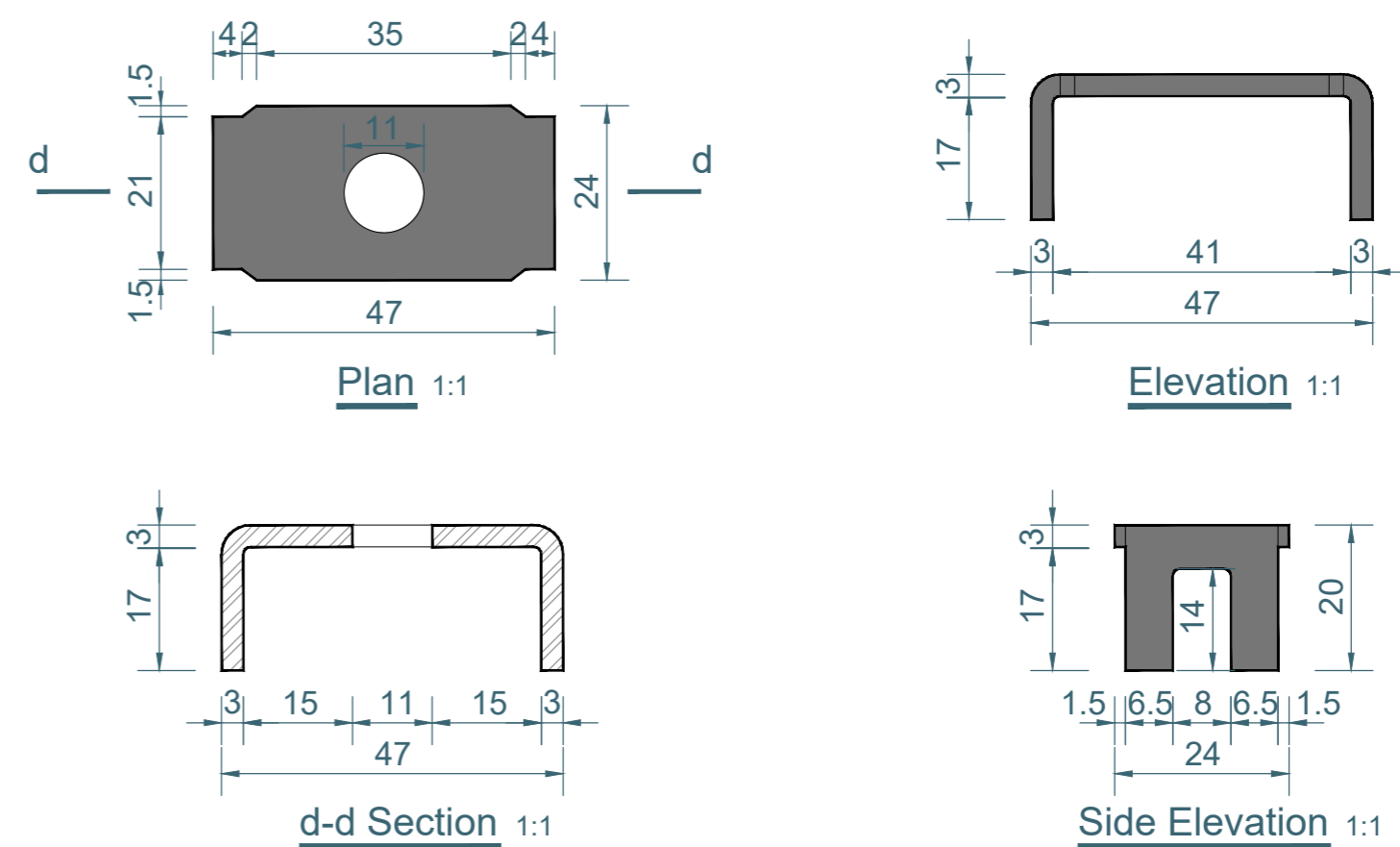
M8x40mm MESH SECURITY INSERT BOLT



SECURITY INSERT NUT



SECURITY KEY



UNIVERSAL FIXING CLIP

TITLE: TWIN MESH FITTINGS

AA Fencing UK Ltd. The Wireworks Evans
Road, Speke Liverpool L24 9PB
0151 363 1234 info@aafencing.co.uk



SIZE: RVE: DRAWN: DATE:

A2 1.0 W.CY 15/03/2025

WEIGHT: POST 5.85kg

SCALE: 1:1

SHEET 3 OF 3

NOTE:

SHOULD ANY DISCREPANCIES BE FOUND WITH THIS DRAWING, PLEASE INFORM AA FENCING. COPYRIGHT OF THIS DRAWING IS OWNED BY AA FENCING UK LIMITED